

### Product Overview

The CMD282 is negative controlled, wideband GaAs MMIC 2-bit digital attenuator die which operates from DC to 40 GHz. Each bit of the attenuator is controlled by a single voltage of either 0 V or -5 V. The attenuator bit values are 4 dB and 8 dB, for a total attenuation of 12 dB. The CMD282 has a low insertion loss of 1.5 dB at 18 GHz and the attenuation accuracy is typically 0.1 dB step error. The CMD282 is a 50 ohm matched design which eliminates the need for RF port matching. The CMD282 offers full passivation for increased reliability and moisture protection.

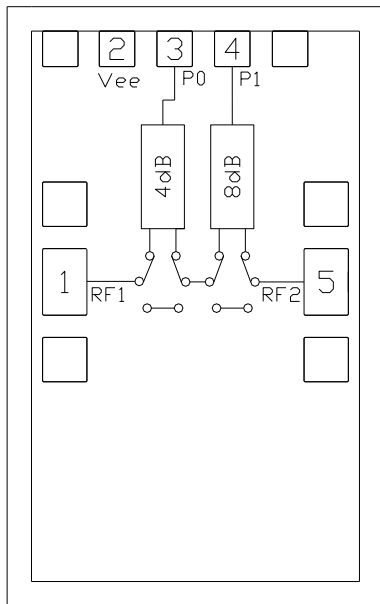
### Key Features

- Ultra Wideband Performance
- Low Insertion Loss
- Wide Attenuation Range
- Small Die Size: 850 um x 1350 um

### Ordering Information

Part No.	Description
CMD282	DC-40 GHz 2-bit Digital Attenuator, 100 Piece Gel Pack

### Functional Block Diagram



### Electrical Performance ( $V_{ee} = -5 V$ , $V_{ctl} = 0 / -5 V$ , $T_A = 25 ^\circ C$ , $F = 18 GHz$ )

Parameter	Min	Typ	Max	Units
Frequency Range		DC - 40		GHz
Insertion Loss		1.5		dB
Attenuation Range		12		dB
Input Return Loss		18		dB
Output Return Loss		18		dB
Input P0.1dB		23		dBm
Input IP3		42		dBm
Switching Speed		25		ns

## Absolute Maximum Ratings

Parameter	Rating
Bias Voltage, $V_{ee}$	-8 V
Control Voltage, $V_{ctl}$	-8 V
RF Input Power	+27 dBm
Thermal Resistance, $\theta_{JC}$	125.32 °C/W
Operating Temperature	-55 to 85 °C
Storage Temperature	-55 to 150 °C

Exceeding any one or combination of the maximum ratings may cause permanent damage to the device.

## Recommended Operating Conditions

Parameter	Min	Typ	Max	Units
$V_{ee}$	-5.5	-5	-2.5	V

Electrical performance is measured at specific test conditions. Electrical specifications are not guaranteed over all recommended operating conditions.

## Truth Table

Control Voltage Input		Attenuation State RF1 - RF2 (dB)
P0 4 dB	P1 8 dB	
Low	Low	Reference (insertion loss)
High	Low	4
Low	High	8
High	High	12

Any combination of the above states will result in an attenuation approximately equal to the sum of the bits selected.

## Control Voltage

State	Bias Condition
High	$V_{ee} \pm 0.3$ V
Low	$0 \pm 0.3$ V

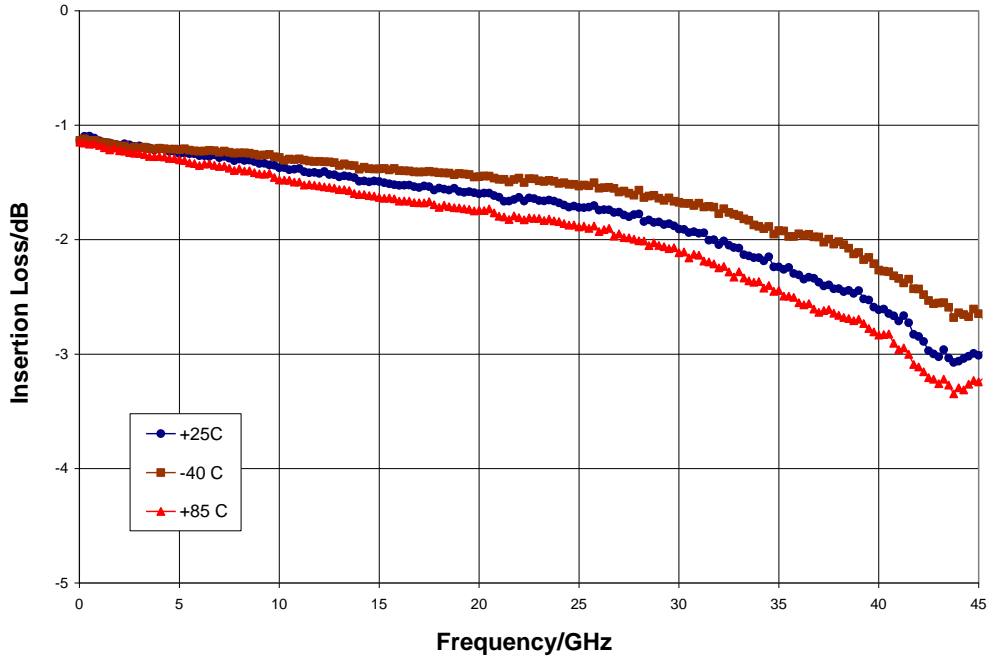
## Electrical Specifications ( $V_{ee} = -5$ V, $V_{ctl} = 0 / -5$ V, $T_A = 25$ °C)

Parameter	Min	Typ	Max	Min	Typ	Max	Units
Frequency Range		DC - 25			25 - 40		GHz
Insertion Loss		1.5	2.2		2	3.1	dB
Attenuation Range		12			12		dB
Attenuation Accuracy		0.5	1		0.2	0.5	dB
Input Return Loss		18			13		dB
Output Return Loss		18			13		dB
Input P0.1dB		23			23		dBm
Input IP3		42			42		dBm

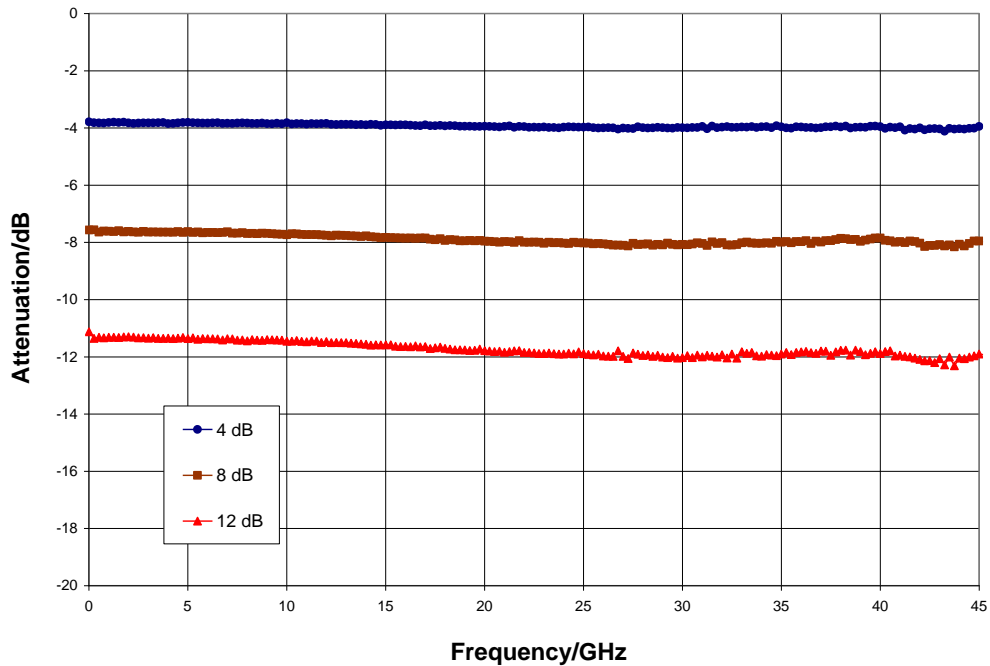
Note: Specification applies to major states

Typical Performance

Insertion Loss versus Temperature

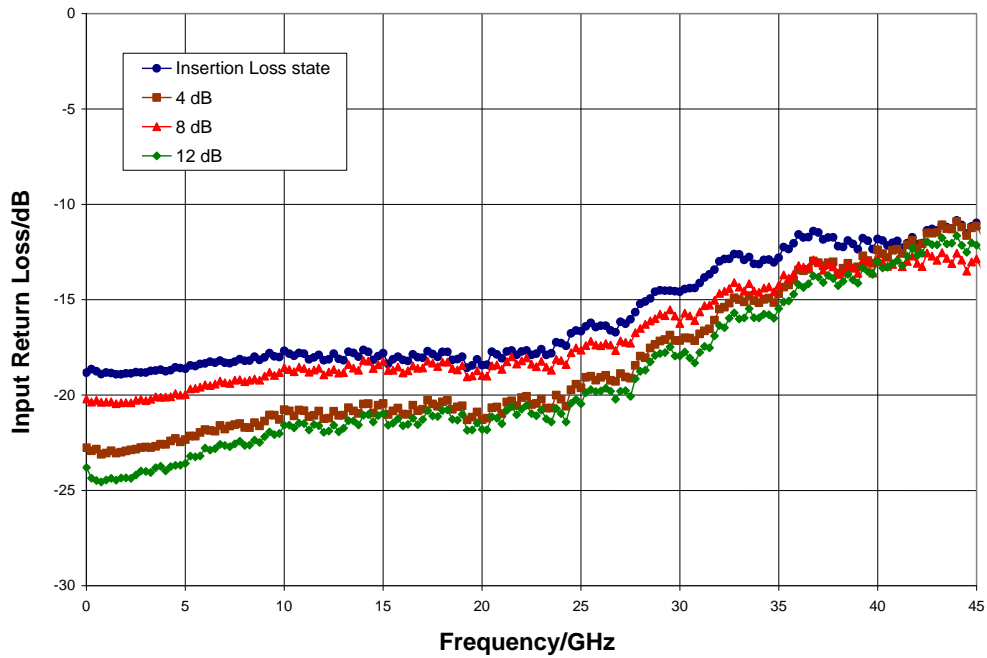


Normalized Attenuation (all states),  $T_A = 25^\circ\text{C}$

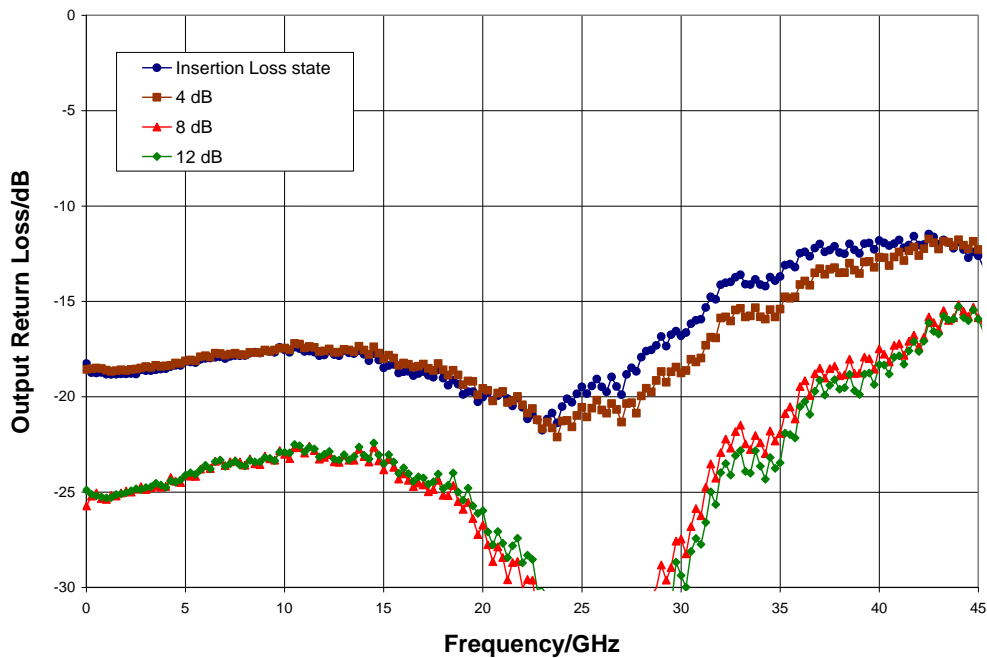


Typical Performance

Input Return Loss (all states),  $T_A = 25\text{ }^\circ\text{C}$

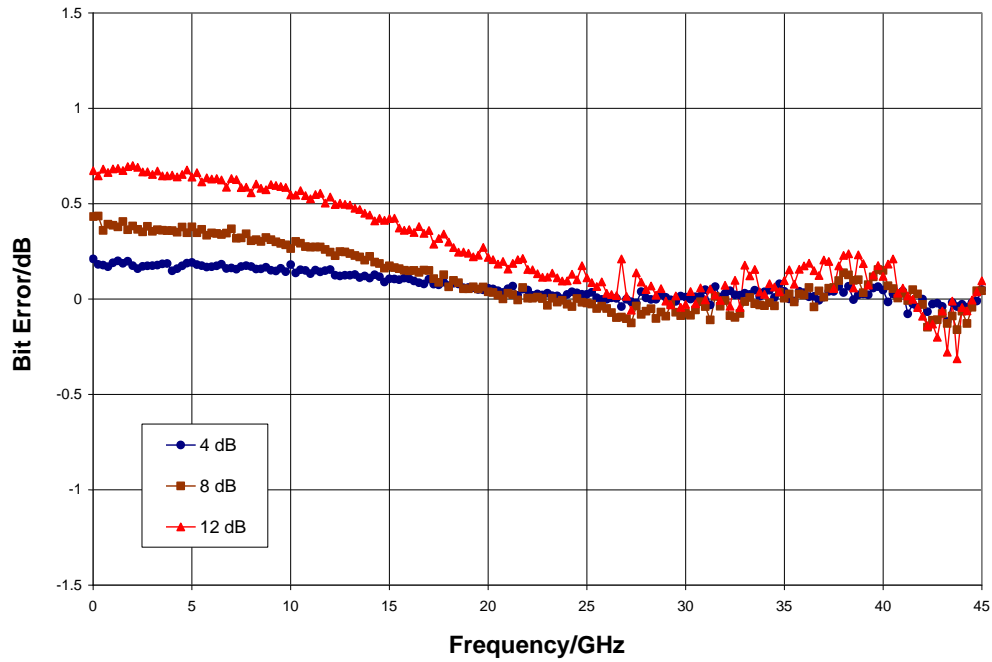


Output Return Loss (all states),  $T_A = 25\text{ }^\circ\text{C}$

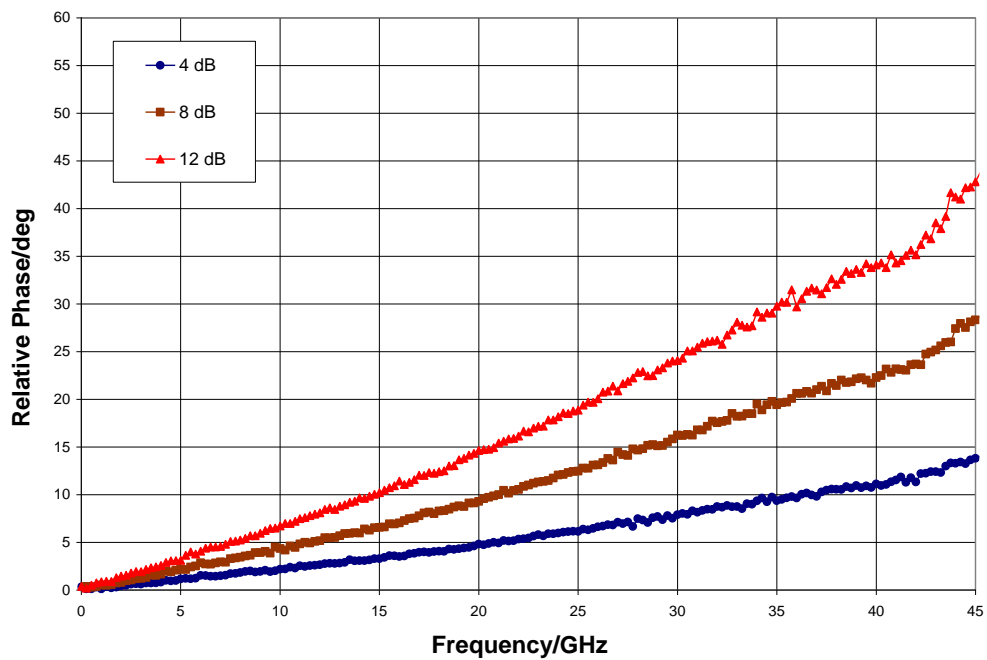


Typical Performance

Bit Error versus Frequency,  $T_A = 25\text{ }^\circ\text{C}$

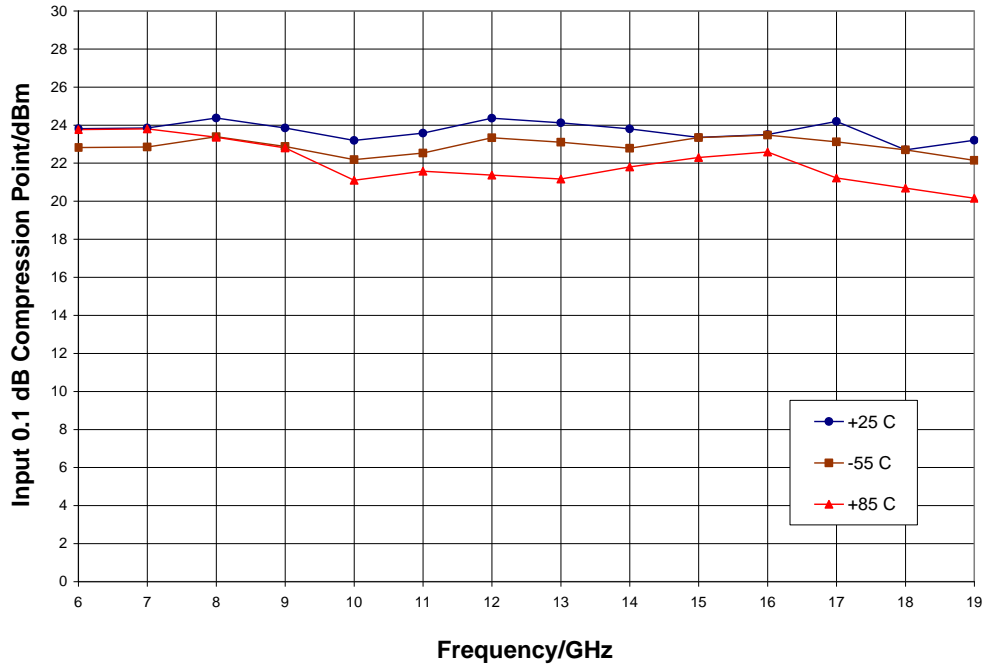


Relative Phase versus Frequency,  $T_A = 25\text{ }^\circ\text{C}$

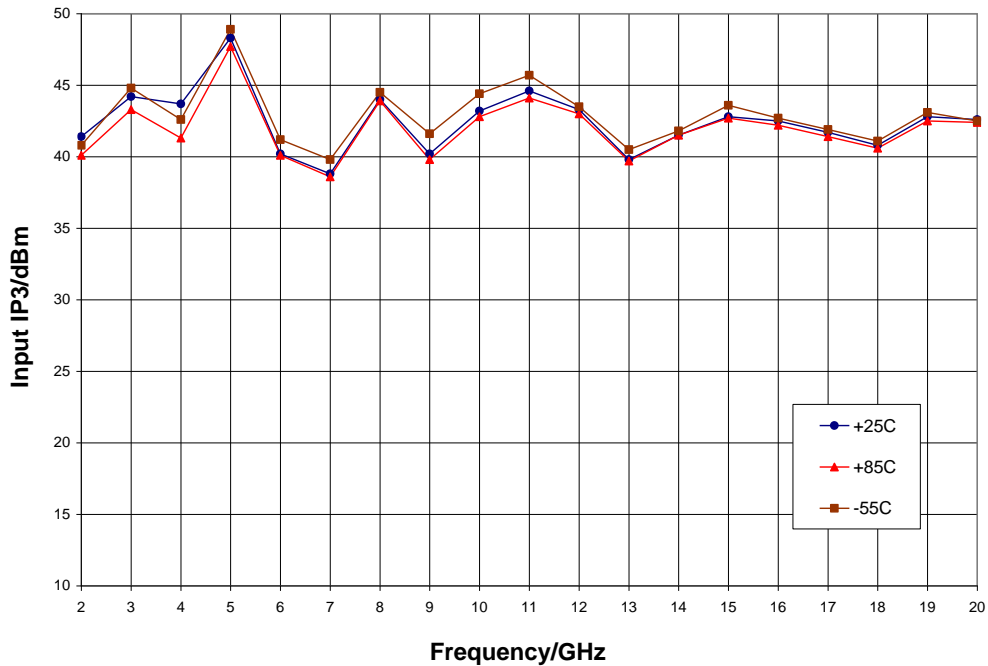


Typical Performance

Input Power for 0.1 dB Compression (insertion loss state)

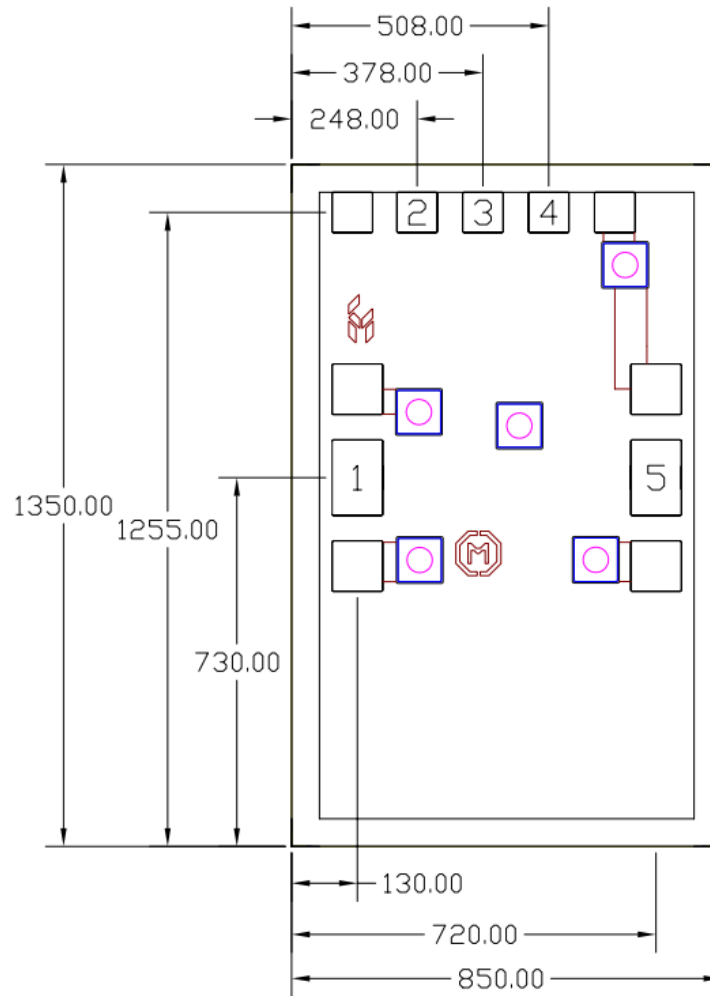


Input IP3 versus Temperature (insertion loss state)



**Mechanical Information**

**Die Outline (all dimensions in microns)**

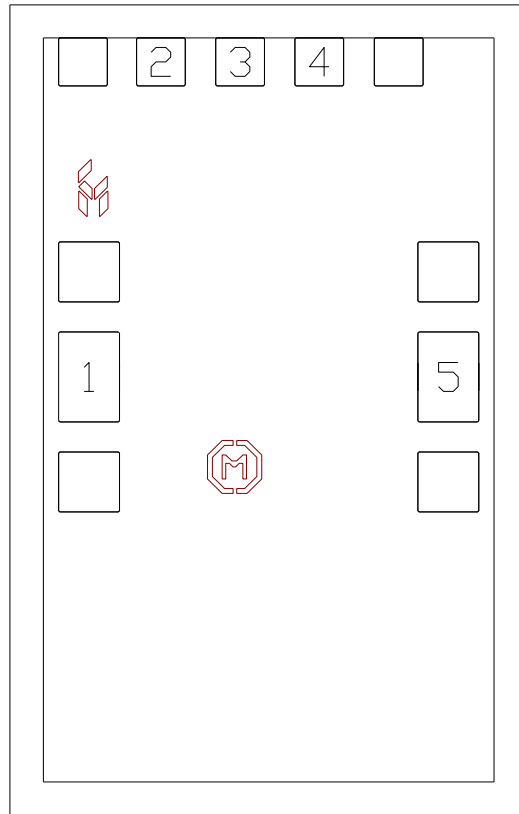


**Notes:**

1. No connection required for unlabeled pads
2. Backside is RF and DC ground
3. Backside and bond pad metal: Gold
4. Die is 100 microns thick
5. DC bond pads (2, 3, 4) are 80 x 80 microns square
6. RF bond pads (1, 5) are 100 x 150 microns

## Pad Description

### Pad Diagram



### Functional Description

Pad	Function	Description	Schematic
1, 5	RF1, RF2	50 ohm matched	
2	$V_{ee}$	Negative bias -5 V	
3, 4	P0, P1	Bit control voltages, see truth table for values	
Backside	Ground	Connect to RF / DC ground	



## Applications Information

---

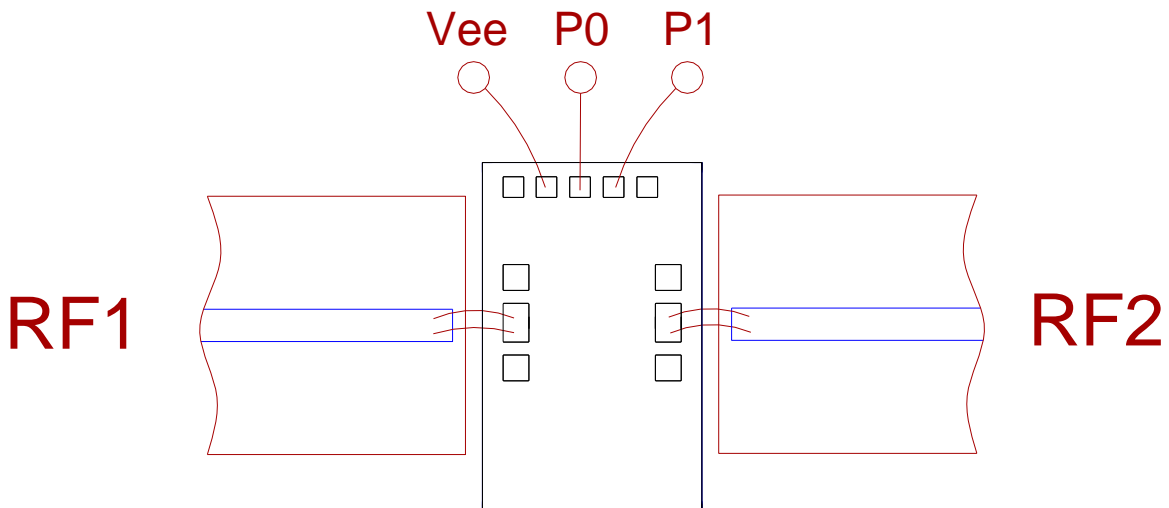
### Assembly Guidelines

The backside of the CMD282 is RF ground. Die attach should be accomplished with electrically and thermally conductive epoxy only. Eutectic attach is not recommended. Standard assembly procedures should be followed for high frequency devices. The top surface of the semiconductor should be made planar to the adjacent RF transmission lines, and the RF decoupling capacitors placed in close proximity to the DC connections on chip.

RF connections should be made as short as possible to reduce the inductive effect of the bond wire. Use of a 0.8 mil thermosonic wedge bonding is highly recommended as the loop height will be minimized. The RF input and output require a single bond wire as shown.

The semiconductor is 100 um thick and should be handled by the sides of the die or with a custom collet. Do not make contact directly with the die surface as this will damage the monolithic circuitry. Handle with care.

### Assembly Diagram



### Biasing and Operation

The CMD282 has two control lines and a  $V_{ee}$  bias port. The CMD282 will not operate unless  $V_{ee}$  is applied to the MMIC.

**GaAs MMIC devices are susceptible to damage from Electrostatic Discharge. Proper precautions should be observed during handling, assembly and test.**

## Handling Precautions

Parameter	Rating	Standard
ESD – Human Body Model (HBM)	Class 1A	ESDA / JEDEC JS-001-2012



Caution!  
ESD-Sensitive Device

## RoHS Compliance

This part is compliant with 2011/65/EU RoHS directive (Restrictions on the Use of Certain Hazardous Substances in Electrical and Electronic Equipment) as amended by Directive 2015/863/EU.

This product also has the following attributes:

- Lead Free
- Antimony Free
- TBBP-A (C<sub>15</sub>H<sub>12</sub>Br<sub>4</sub>O<sub>2</sub>) Free
- SVHC Free
- Halogen Free
- PFOS Free

## Contact Information

For the latest specifications, additional product information, worldwide sales and distribution locations:

**Web:** [www.qorvo.com](http://www.qorvo.com)

**Tel:** 1-844-890-8163

**Email:** [customer.support@qorvo.com](mailto:customer.support@qorvo.com)

## Important Notice

The information contained in this Data Sheet and any associated documents (“Data Sheet Information”) is believed to be reliable; however, Qorvo makes no warranties regarding the Data Sheet Information and assumes no responsibility or liability whatsoever for the use of said information. All Data Sheet Information is subject to change without notice. Customers should obtain and verify the latest relevant Data Sheet Information before placing orders for Qorvo® products. Data Sheet Information or the use thereof does not grant, explicitly, implicitly or otherwise any rights or licenses to any third party with respect to patents or any other intellectual property whether with regard to such Data Sheet Information itself or anything described by such information.

DATA SHEET INFORMATION DOES NOT CONSTITUTE A WARRANTY WITH RESPECT TO THE PRODUCTS DESCRIBED HEREIN, AND QORVO HEREBY DISCLAIMS ANY AND ALL WARRANTIES WITH RESPECT TO SUCH PRODUCTS WHETHER EXPRESS OR IMPLIED BY LAW, COURSE OF DEALING, COURSE OF PERFORMANCE, USAGE OF TRADE OR OTHERWISE, INCLUDING THE IMPLIED WARRANTIES OF MERCHANTABILITY AND FITNESS FOR A PARTICULAR PURPOSE. Without limiting the generality of the foregoing, Qorvo® products are not warranted or authorized for use as critical components in medical, life-saving, or life-sustaining applications, or other applications where a failure would reasonably be expected to cause severe personal injury or death. Applications described in the Data Sheet Information are for illustrative purposes only. Customers are responsible for validating that a particular product described in the Data Sheet Information is suitable for use in a particular application.

© 2022 Qorvo US, Inc. All rights reserved. This document is subject to copyright laws in various jurisdictions worldwide and may not be reproduced or distributed, in whole or in part, without the express written consent of Qorvo US, Inc. | QORVO® is a registered trademark of Qorvo US, Inc.