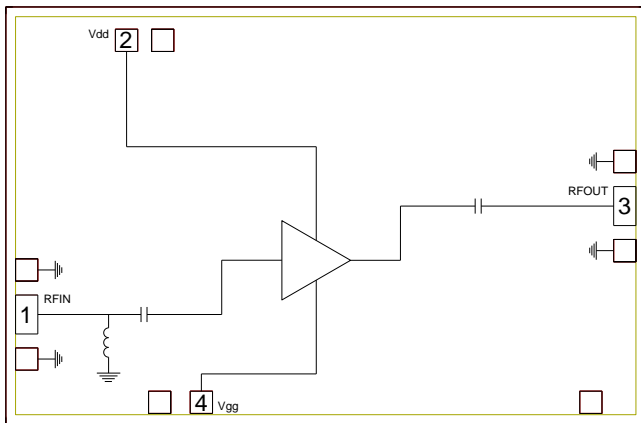


Product Overview

The CMD245 is a wideband GaAs MMIC low phase noise amplifier ideally suited for military, space and communications systems. At 10 GHz the device delivers 18 dB of gain, a saturated output power of +21 dBm and a noise figure of 3 db. Also, with an input signal of 10 GHz the amplifier provides low phase noise performance of -165 dBc/Hz at 10 kHz offset. The CMD245 is a 50 ohm matched design which eliminates the need for RF port matching. The CMD245 offers full passivation for increased reliability and moisture protection.

Functional Block Diagram



Key Features

- Wide Bandwidth
- Low Phase Noise
- Low Current Consumption
- Small Die Size: 2.3 x 1.5 mm

Ordering Information

| Part No. | Description |
|----------|--|
| CMD245 | 6-18 GHz Low Phase Noise Amplifier, 100 Piece Gel Pack |

Electrical Performance ($V_{dd} = 5.0\text{ V}$, $V_{gg} = 3.0\text{ V}$, $T_A = 25\text{ }^\circ\text{C}$, $F = 10\text{ GHz}$)

| Parameter | Min | Typ | Max | Units |
|-----------------------------|-----|--------|-----|--------|
| Frequency Range | | 5 - 20 | | GHz |
| Gain | | 18 | | dB |
| Input Return Loss | | 10 | | dB |
| Output Return Loss | | 15 | | dB |
| Noise Figure | | 3 | | dB |
| Output P_{1dB} | | 18 | | dBm |
| Saturated Output Power | | 21 | | dBm |
| Phase Noise @ 10 kHz Offset | | -165 | | dBc/Hz |
| Supply Current | | 76 | | mA |

Absolute Maximum Ratings

| Parameter | Rating |
|-----------------------------------|---------------|
| Drain Voltage, V_{dd} | 8.0 V |
| Gate Voltage, V_{gg} | 5.0 V |
| RF Input Power | +17 dBm |
| Channel Temperature, T_{ch} | 150 °C |
| Power Dissipation, P_{diss} | 602 mW |
| Thermal Resistance, θ_{JC} | 108 °C/W |
| Operating Temperature | -55 to 85 °C |
| Storage Temperature | -55 to 150 °C |

Exceeding any one or combination of the maximum ratings may cause permanent damage to the device.

Recommended Operating Conditions

| Parameter | Min | Typ. | Max | Units |
|-----------|-----|------|-----|-------|
| V_{dd} | 3.0 | 5.0 | 7.0 | V |
| I_{dd} | | 76 | | mA |
| V_{gg} | 0 | 3.0 | 4.0 | V |

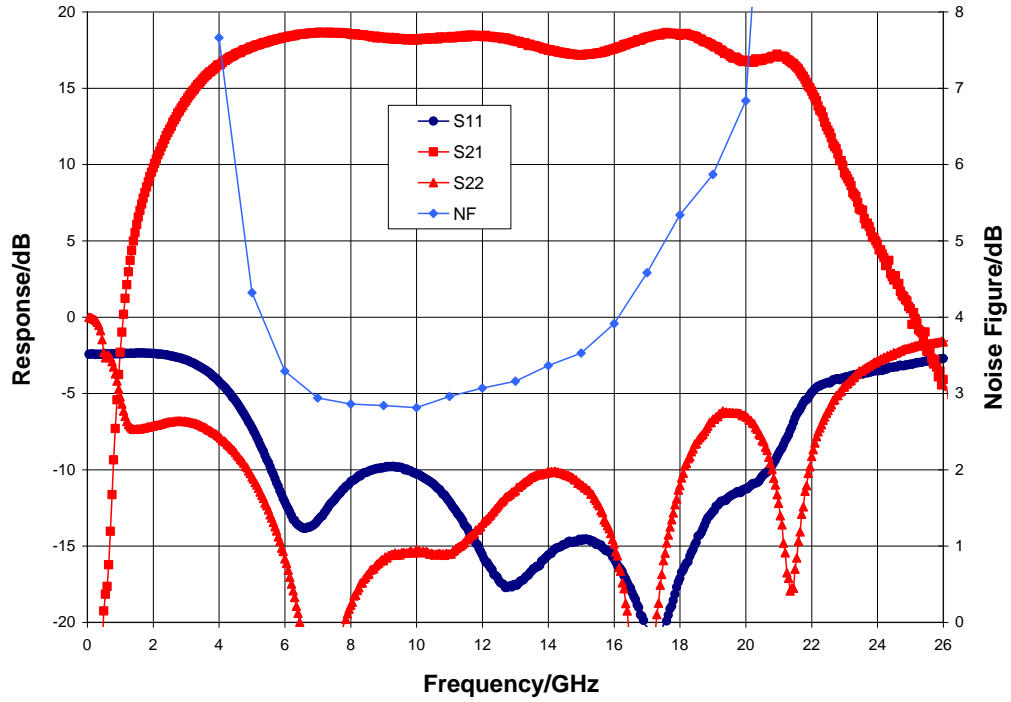
Electrical performance is measured at specific test conditions. Electrical specifications are not guaranteed over all recommended operating conditions.

Electrical Specifications ($V_{dd} = 5.0$ V, $V_{gg} = 3.0$ V, $T_A = 25$ °C)

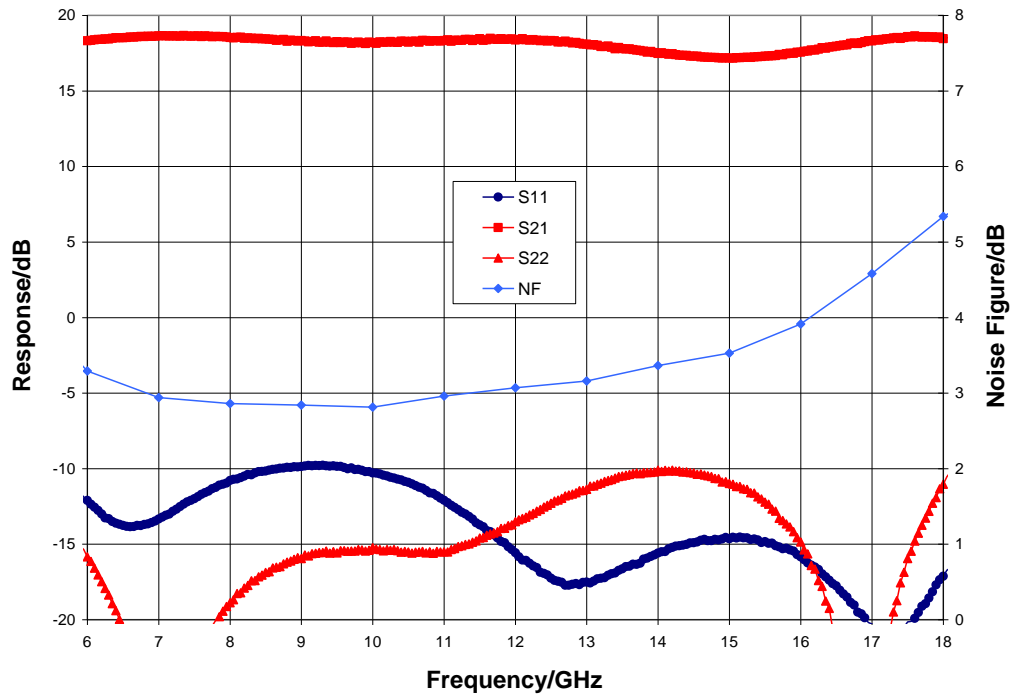
| Parameter | Min | Typ | Max | Min | Typ | Max | Units |
|-----------------------------|--------|------|------|---------|------|------|--------|
| Frequency Range | 6 - 12 | | | 12 - 18 | | | GHz |
| Gain | 15 | 18.5 | 21.5 | 14 | 18 | 21.5 | dB |
| Noise Figure | | 3 | | | 4 | | dB |
| Input Return Loss | | 10 | | | 15 | | dB |
| Output Return Loss | | 15 | | | 12 | | dB |
| Output P_{1dB} | 15 | 19 | | 11 | 16 | | dBm |
| Saturated Output Power | | 21 | | | 20 | | dBm |
| Output IP3 | | 29 | | | 29 | | dBm |
| Phase Noise @ 10 kHz Offset | | -165 | | | -165 | | dBc/Hz |
| Supply Current | 53 | 76 | 100 | 53 | 76 | 100 | mA |

Typical Performance

Broadband Performance, $V_{dd} = 5.0\text{ V}$, $V_{gg} = 3.0\text{ V}$, $I_{dd} = 76\text{ mA}$, $T_A = 25\text{ }^\circ\text{C}$

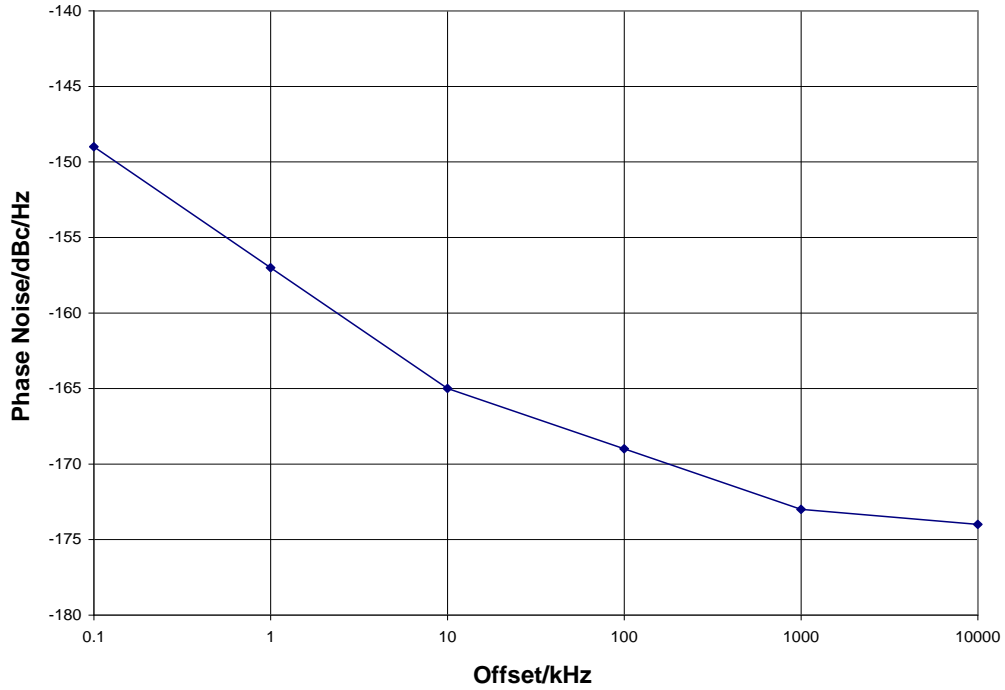


Narrow-band Performance, $V_{dd} = 5.0\text{ V}$, $V_{gg} = 3.0\text{ V}$, $I_{dd} = 76\text{ mA}$, $T_A = 25\text{ }^\circ\text{C}$

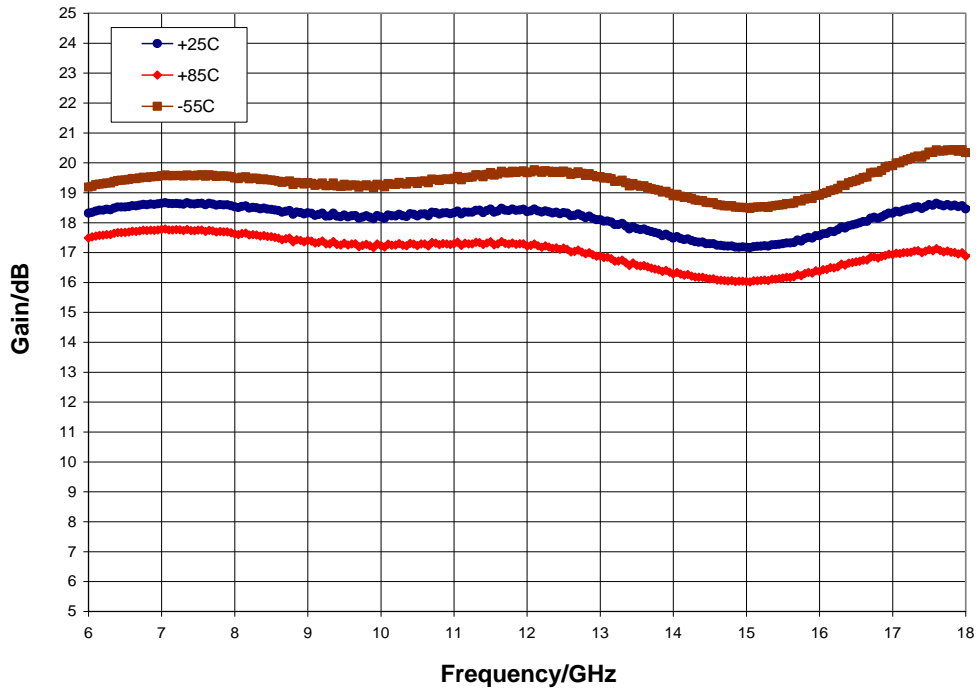


Typical Performance

Additive Phase Noise @ Psat, V_{dd} = 5.0 V, V_{gg} = 3.0 V, T_A = 25 °C

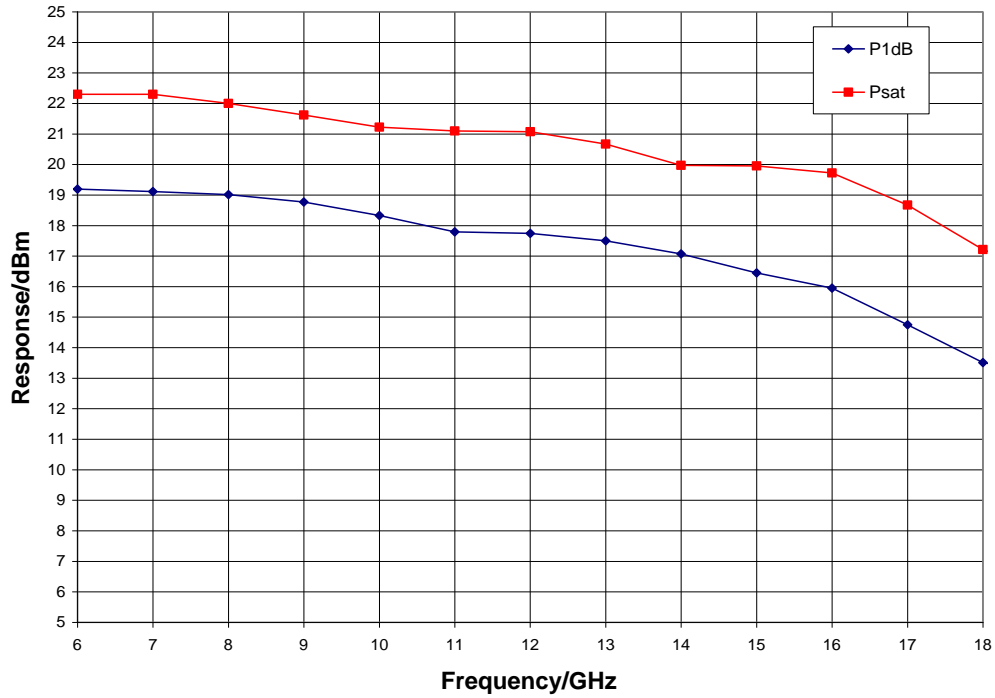


Gain vs. Temperature, V_{dd} = 5.0 V, V_{gg} = 3.0 V

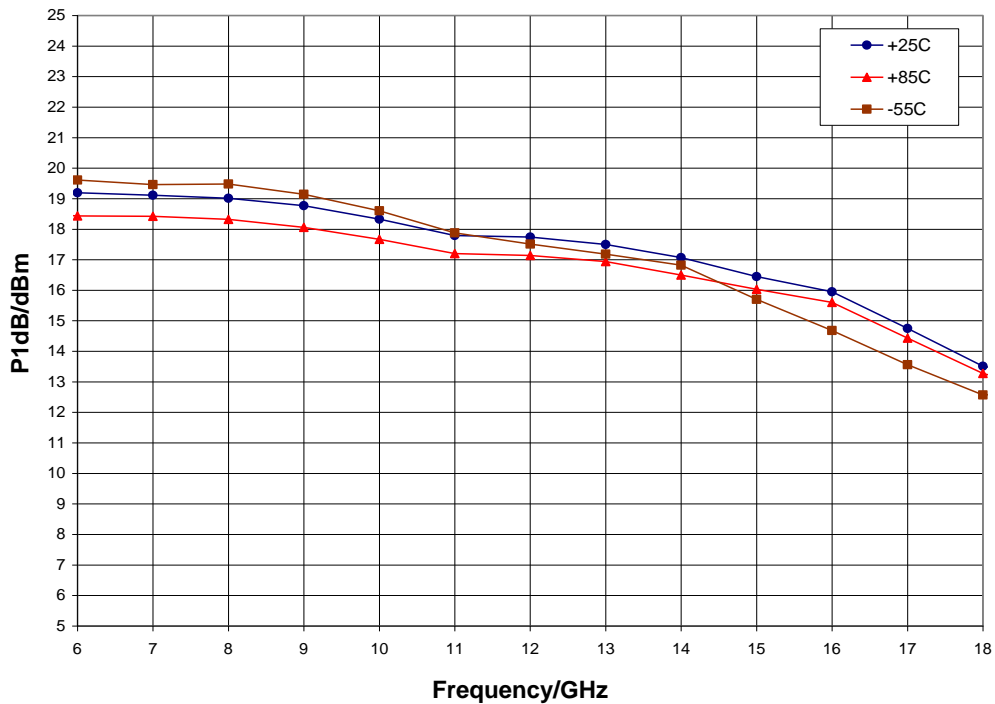


Typical Performance

Output Power, $V_{dd} = 5.0\text{ V}$, $V_{gg} = 3.0\text{ V}$, $T_A = 25\text{ }^\circ\text{C}$

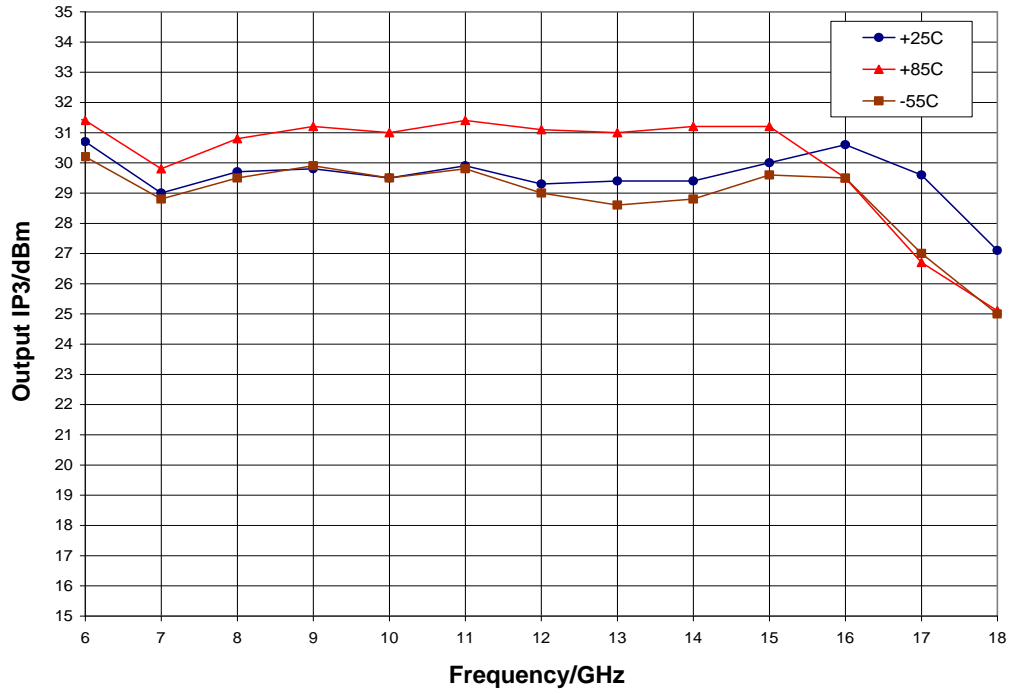


P1dB vs. Temperature, $V_{dd} = 5.0\text{ V}$, $V_{gg} = 3.0\text{ V}$

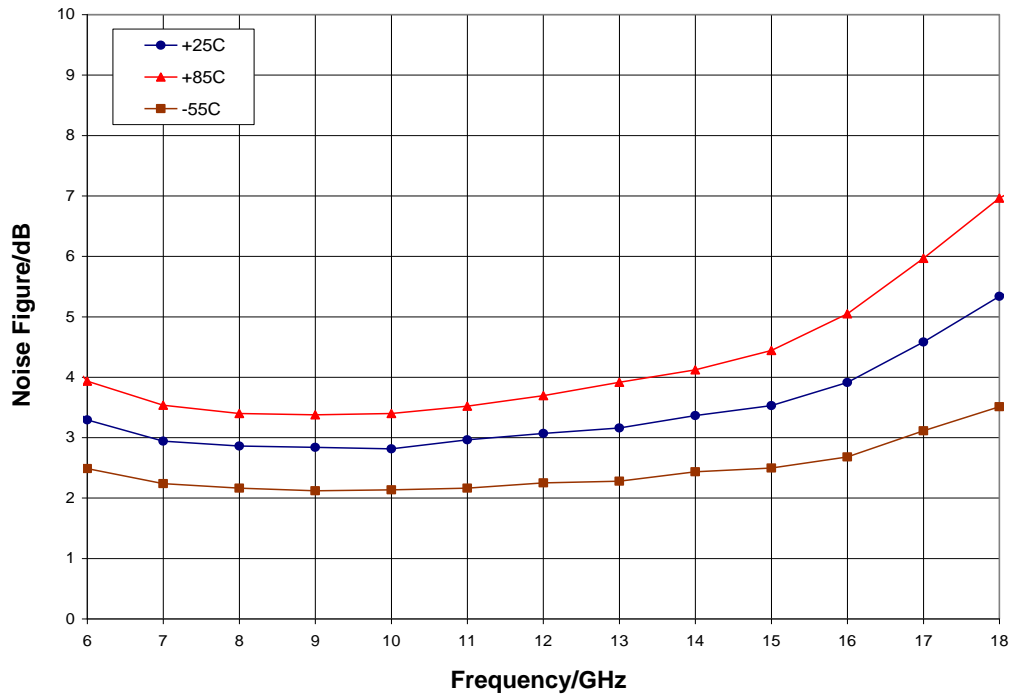


Typical Performance

Output IP3 vs. Temperature, $V_{dd} = 5.0\text{ V}$, $V_{gg} = 3.0\text{ V}$

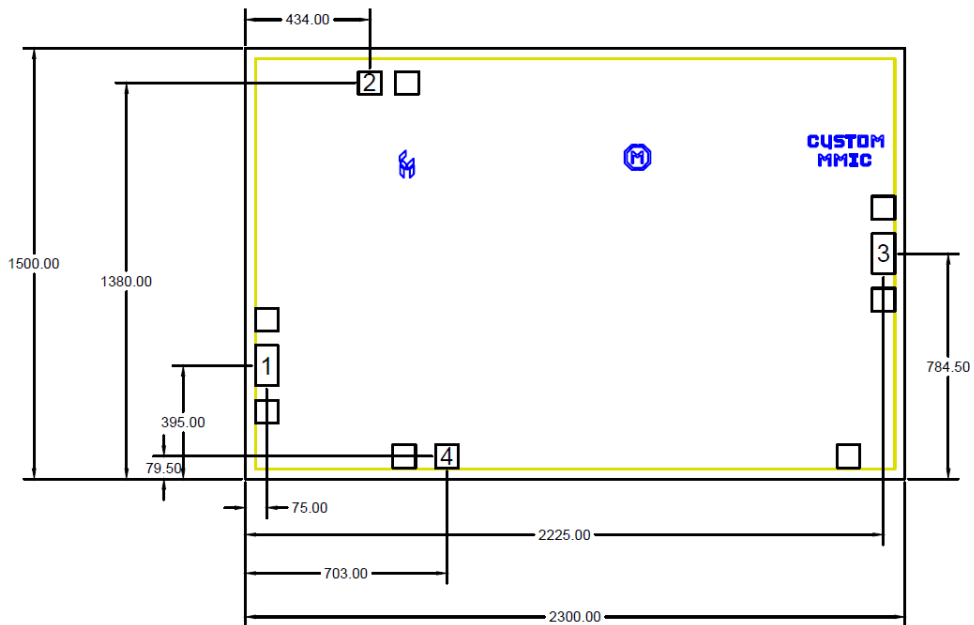


Noise Figure vs. Temperature, $V_{dd} = 5.0\text{ V}$, $V_{gg} = 3.0\text{ V}$



Mechanical Information

Die Outline (all dimensions in microns)

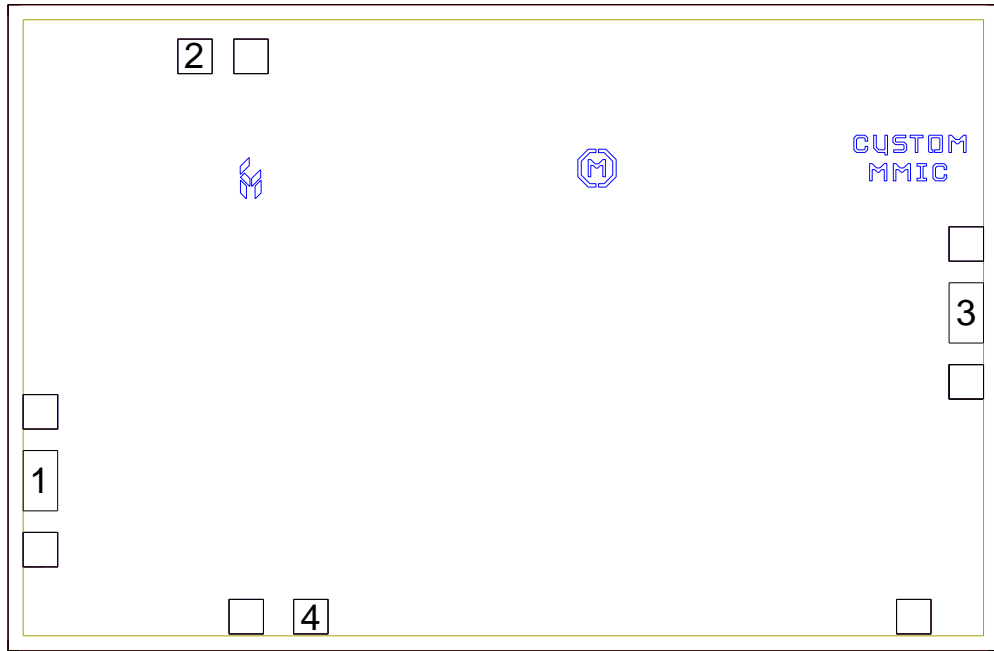


Notes:

1. No connection required for unlabeled pads
2. Backside is RF and DC ground
3. Backside and bond pad metal: Gold
4. Die is 100 microns thick
5. DC bond pads (2, 4) are 80 x 80 microns
6. RF bond pads (1, 3) are 80 x 140 microns

Pad Description

Pad Diagram



Functional Description

| Pad | Function | Description | Schematic |
|----------|-----------------|---|-----------|
| 1 | RF in | DC coupled and 50 ohm matched | |
| 2 | V _{dd} | Power supply voltage Decoupling and bypass caps required | |
| 3 | RF out | DC blocked and 50 ohm matched | |
| 4 | V _{gg} | Power supply voltage Decoupling and bypass caps required | |
| Backside | Ground | Connect to RF / DC ground | |

Applications Information

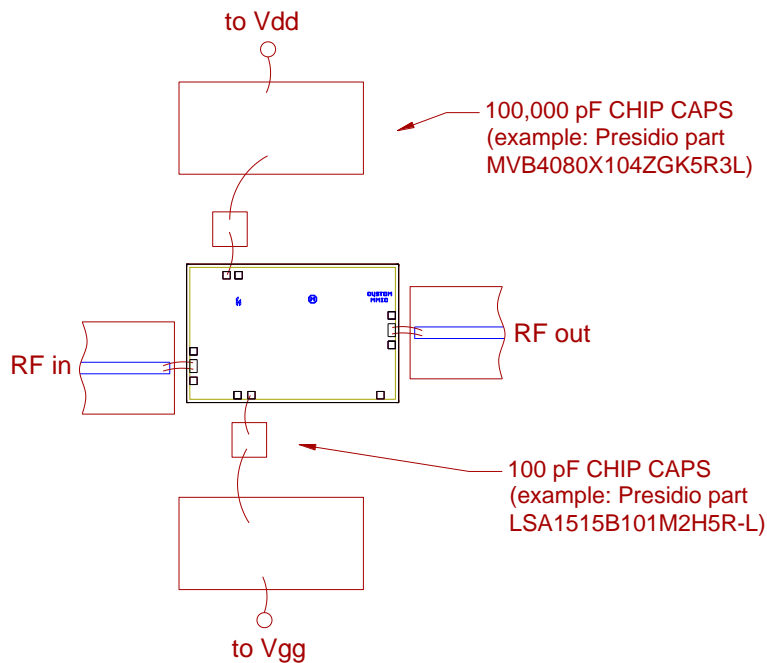
Assembly Guidelines

The backside of the CMD245 is RF ground. Die attach should be accomplished with electrically and thermally conductive epoxy only. Eutectic attach is not recommended. Standard assembly procedures should be followed for high frequency devices. The top surface of the semiconductor should be made planar to the adjacent RF transmission lines, and the RF decoupling capacitors placed in close proximity to the DC connections on chip.

RF connections should be made as short as possible to reduce the inductive effect of the bond wire. Use of a 0.8 mil thermosonic wedge bonding is highly recommended as the loop height will be minimized. The RF input and output require a double bond wire as shown.

The semiconductor is 100 μm thick and should be handled by the sides of the die or with a custom collet. Do not make contact directly with the die surface as this will damage the monolithic circuitry. Handle with care.

Assembly Diagram



GaAs MMIC devices are susceptible to damage from Electrostatic Discharge. Proper precautions should be observed during handling, assembly and test.

Applications Information

Biasing and Operation

The CMD245 is biased with a positive drain supply and a positive gate supply. Performance is optimized when the drain voltage is set to +5.0 V. The recommended gate voltage is +3.0 V.

Turn ON procedure:

1. Apply drain voltage V_{dd} and set to +5 V
2. Apply gate voltage V_{gg} and set to +3 V

Turn OFF procedure:

1. Turn off gate voltage V_{gg}
2. Turn off drain voltage V_{dd}

RF power can be applied at any time.

Handling Precautions

| Parameter | Rating | Standard |
|------------------------------|----------|--------------------------|
| ESD – Human Body Model (HBM) | Class 1A | ESDA / JEDEC JS-001-2012 |



Caution!
ESD-Sensitive Device

RoHS Compliance

This part is compliant with 2011/65/EU RoHS directive (Restrictions on the Use of Certain Hazardous Substances in Electrical and Electronic Equipment) as amended by Directive 2015/863/EU.

This product also has the following attributes:

- Lead Free
- Halogen Free (Chlorine, Bromine)
- Antimony Free
- TBBP-A (C₁₅H₁₂Br₄O₂) Free
- SVHC Free
- PFOS Free

Contact Information

For the latest specifications, additional product information, worldwide sales and distribution locations:

Web: www.qorvo.com

Tel: 1-844-890-8163

Email: customer.support@qorvo.com

Important Notice

The information contained in this Data Sheet and any associated documents (“Data Sheet Information”) is believed to be reliable; however, Qorvo makes no warranties regarding the Data Sheet Information and assumes no responsibility or liability whatsoever for the use of said information. All Data Sheet Information is subject to change without notice. Customers should obtain and verify the latest relevant Data Sheet Information before placing orders for Qorvo® products. Data Sheet Information or the use thereof does not grant, explicitly, implicitly or otherwise any rights or licenses to any third party with respect to patents or any other intellectual property whether with regard to such Data Sheet Information itself or anything described by such information.

DATA SHEET INFORMATION DOES NOT CONSTITUTE A WARRANTY WITH RESPECT TO THE PRODUCTS DESCRIBED HEREIN, AND QORVO HEREBY DISCLAIMS ANY AND ALL WARRANTIES WITH RESPECT TO SUCH PRODUCTS WHETHER EXPRESS OR IMPLIED BY LAW, COURSE OF DEALING, COURSE OF PERFORMANCE, USAGE OF TRADE OR OTHERWISE, INCLUDING THE IMPLIED WARRANTIES OF MERCHANTABILITY AND FITNESS FOR A PARTICULAR PURPOSE. Without limiting the generality of the foregoing, Qorvo® products are not warranted or authorized for use as critical components in medical, life-saving, or life-sustaining applications, or other applications where a failure would reasonably be expected to cause severe personal injury or death. Applications described in the Data Sheet Information are for illustrative purposes only. Customers are responsible for validating that a particular product described in the Data Sheet Information is suitable for use in a particular application.

© 2022 Qorvo US, Inc. All rights reserved. This document is subject to copyright laws in various jurisdictions worldwide and may not be reproduced or distributed, in whole or in part, without the express written consent of Qorvo US, Inc. | QORVO® is a registered trademark of Qorvo US, Inc.