

ChiP™ and VIA™ Packages

DCM™ Family

Isolated, Regulated DC-DC Converter Modules



For use in: *Transportation, Industrial and Process Control, Distributed Power, ATE, Communications, Defense/Aerospace, Semiconductor Manufacturing Equipment (SME)*

Description

The DCM is an isolated, highly efficient, regulated DC-DC converter utilizing high frequency zero-voltage switching (ZVS) topology, operating from an unregulated, wide range input to generate an isolated output. Modular DCM converters and downstream DC-DC products support efficient power distribution, providing superior power system performance and connectivity from a variety of unregulated power sources to the point-of-load. Leveraging the thermal and density benefits of the Vicor ChiP packaging technology, the DCM ChiP module offers flexible thermal management options with very low top- and bottom-side thermal impedances while the DCM VIA module additionally provides integrated EMI filtering, tight output voltage regulation, and a secondary-referenced control interface while retaining the fundamental design benefits of the conventional brick architecture.

Features & Benefits

- Up to 1300W, 46.43A continuous
- 96% peak efficiency
- Up to 1244W/in³ power density
- Up to 4,242V_{DC} isolation
- ZVS high-frequency switching
- Array up to 8 units with no power derating
- Fully operational current limit
- OV, OC, UV, short circuit and thermal protection
- PMBus® management or analog control interface

DCM4623 ChiP
1.886 x 0.898 x 0.284in
[47.91 x 22.80 x 7.21mm]

DCM3623 ChiP
1.524 x 0.898 x 0.284in
[38.72 x 22.80 x 7.21mm]

DCM2322 ChiP
0.978 x 0.898 x 0.284in
[24.84 x 22.80 x 7.21mm]

DCM3414 VIA
3.38 x 1.40 x 0.37in
[85.9 x 35.5 x 9.4mm]



DCM5614 VIA
5.57 x 1.40 x 0.37in
[141.43 x 35.54 x 9.40mm]

DCM3714 VIA
3.75 x 1.40 x 0.37in
[95.1 x 35.5 x 9.4mm]

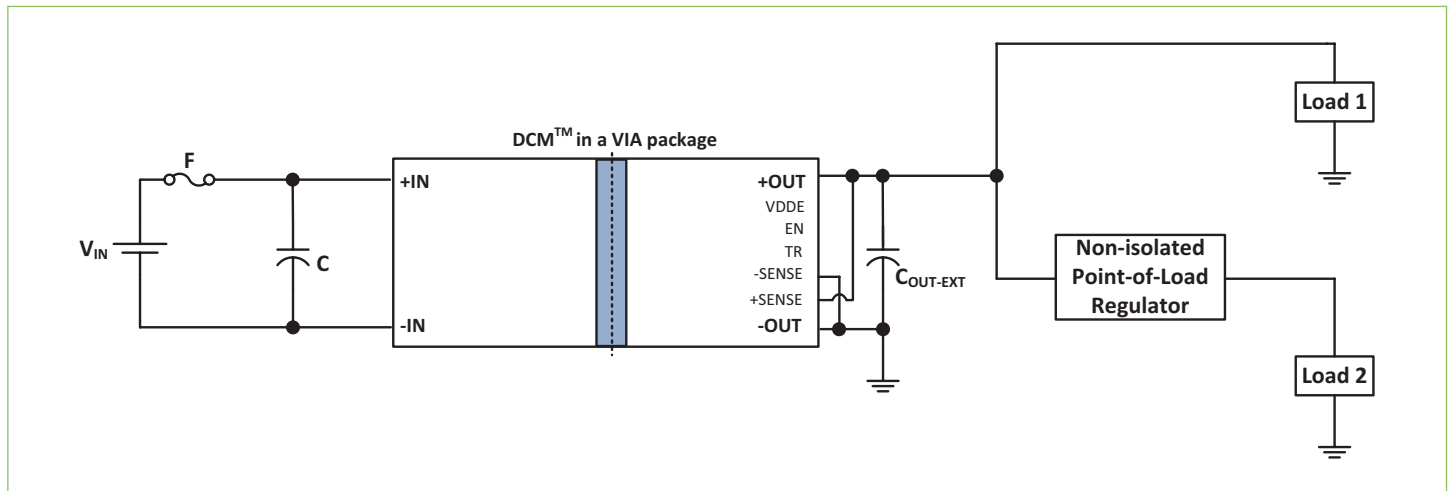
Family of DCM Products

■ = Also Available in VIA™ package

Nominal Input (V)	Package Size	Power (W) by Nominal Output Voltage (V)								
		3.3	5	12	13.8	15	24	28	36	48
300 (180 – 420)	4623 ChiP or 3714 VIA			400	500		600	500		500
290 (160 – 420)	4623 ChiP				600					
275 (120 – 420)	4623 ChiP	110	190	375		375	375	375		375
270 (160 – 420)	4623 ChiP or 3714 VIA	150	250	500		500	500	500		500
270 (180 – 400)	5614 VIA							1300		
100 (43 – 154)	3623 ChiP	80	120	240		240	240	240		240
100 (43 – 154)	2322 ChiP	40	60	120		120	120	120		120
48 (36 – 75)	3623 ChiP or 3414 VIA		160	320		320	320	320	320	320
43 (14 – 72)	2322 ChiP	35	50	100		100	100	100		100
42 (9 – 75)	3623 ChiP			80		80	80	80		80
30 (9 – 50)	3623 ChiP	80	80	160		160	160	160		160
30 (9 – 50)	2322 ChiP			60		60	60	60		60
28 (16 – 50)	3623 ChiP or 3414 VIA	120	180	320		320	320	320		320
24 (18 – 36)	3623 ChiP		180	320		320	320	320	320	320

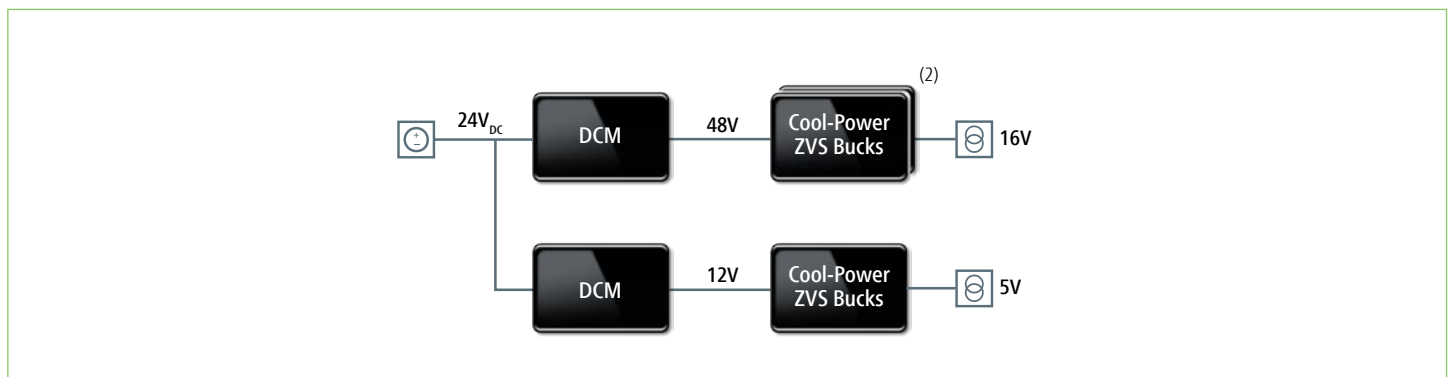
Typical Application

Single DCM3714xD2H26D7yzz in Local Sense Operation, to a non-isolated regulator, and direct to load



Block Diagram

Typical 24V input to point of load.



©2019 – 2020 Vicor Corporation. All rights reserved. The Vicor name is a registered trademark of Vicor Corporation. All other trademarks, product names, logos and brands are property of their respective owners.